

Safety Instructions

1, 2, 3, 4, 5, 6, 7, 8, 12, 15,
16, 17, 18, 19, 20, 24, 28,
33, 34



Info Hotline



+49 (0) 5041 998 389

Mon.-Do. 7⁰⁰-20⁰⁰
Fr. 7⁰⁰-17⁰⁰

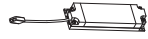
Paulmann Licht GmbH
Quezinger Feld 2
31832 Springe
Germany

www.paulmann.com

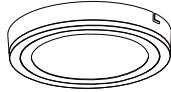
Art.-Nr: 707.32/33/34/35
36/37



(+MA326) POW 06/16

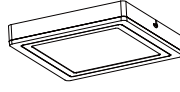


1x

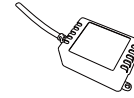


70732/33/34

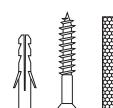
1x



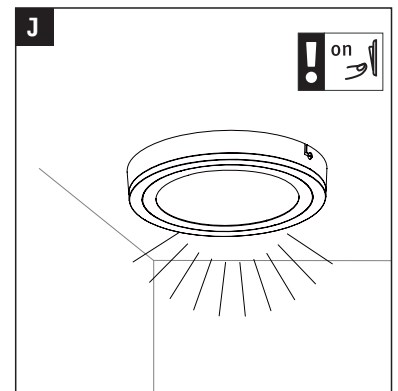
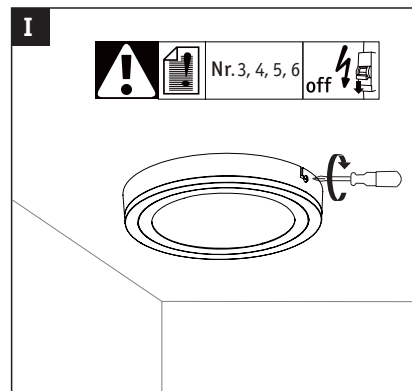
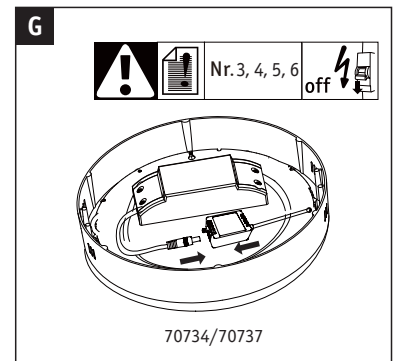
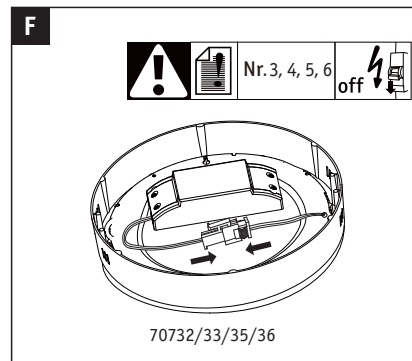
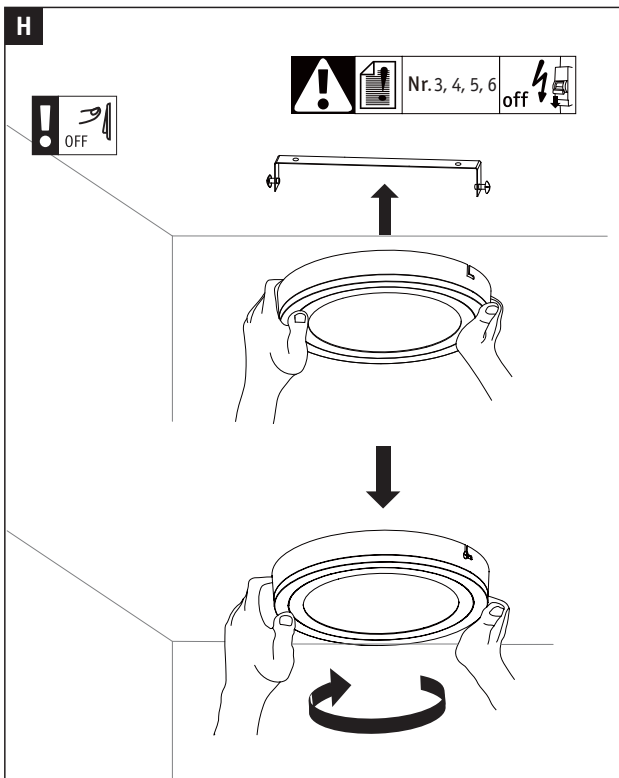
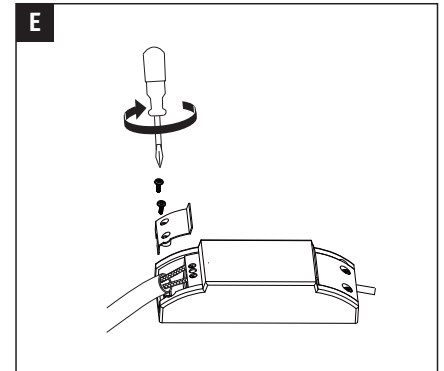
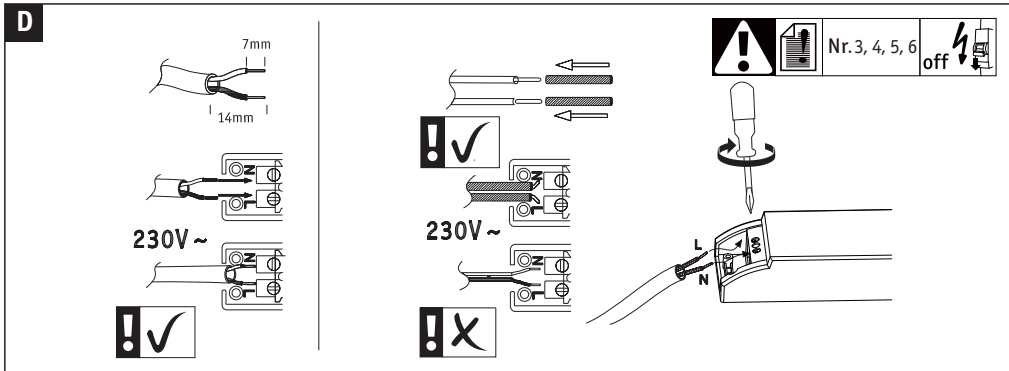
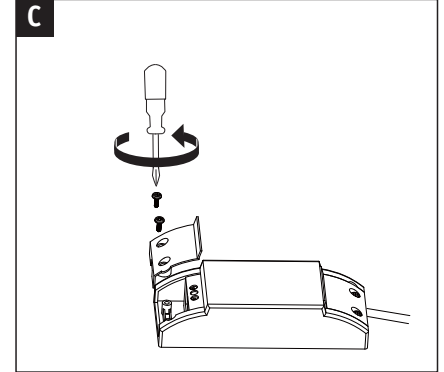
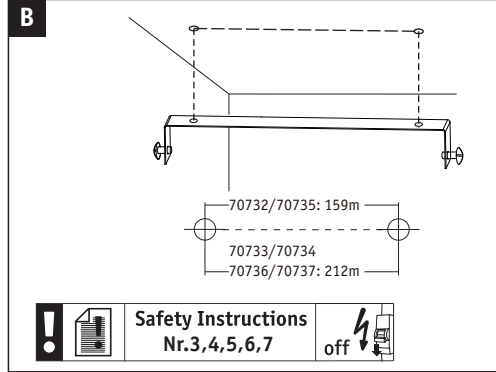
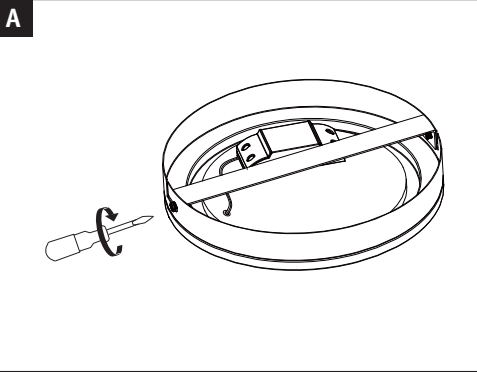
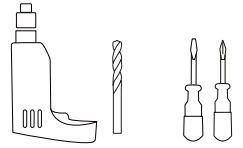
70735/36/37

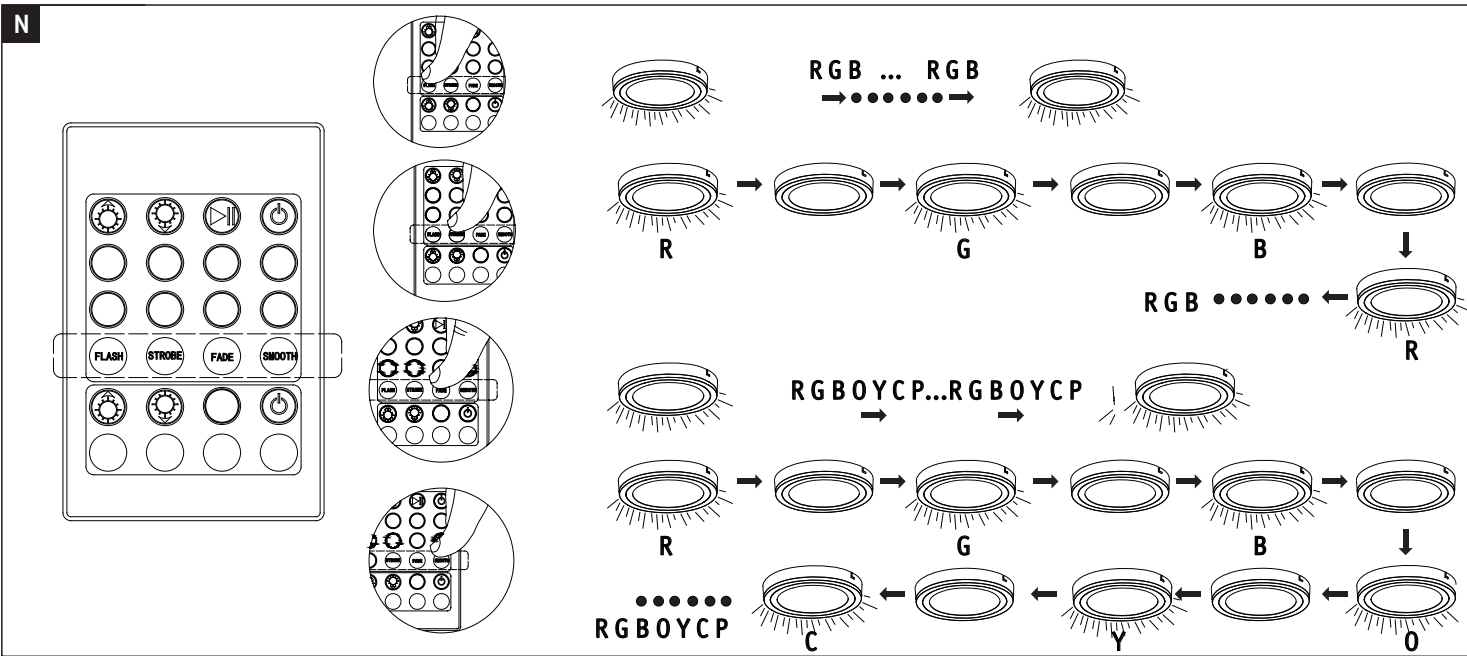
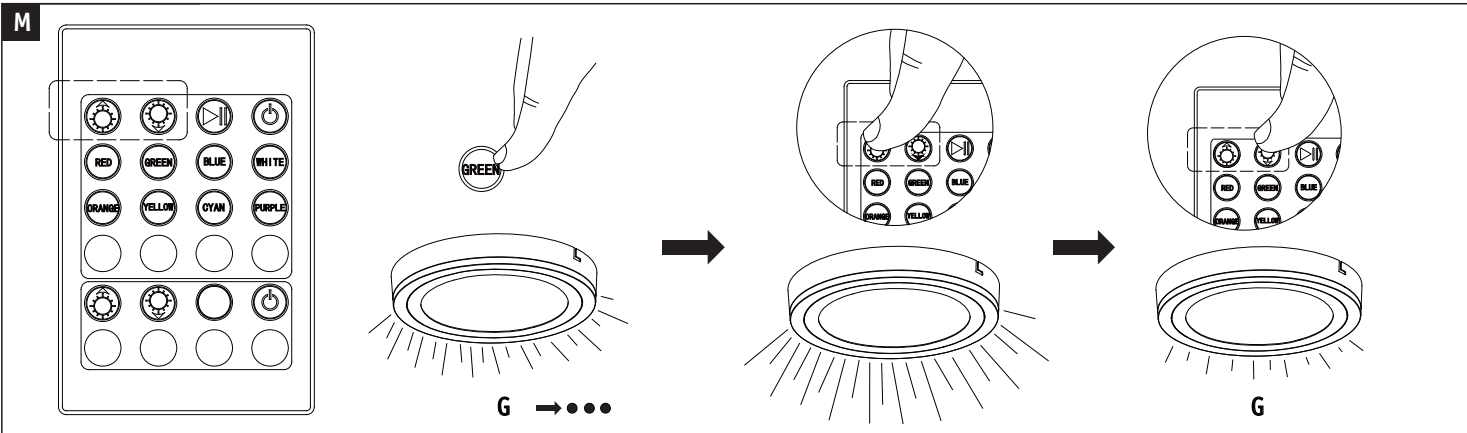
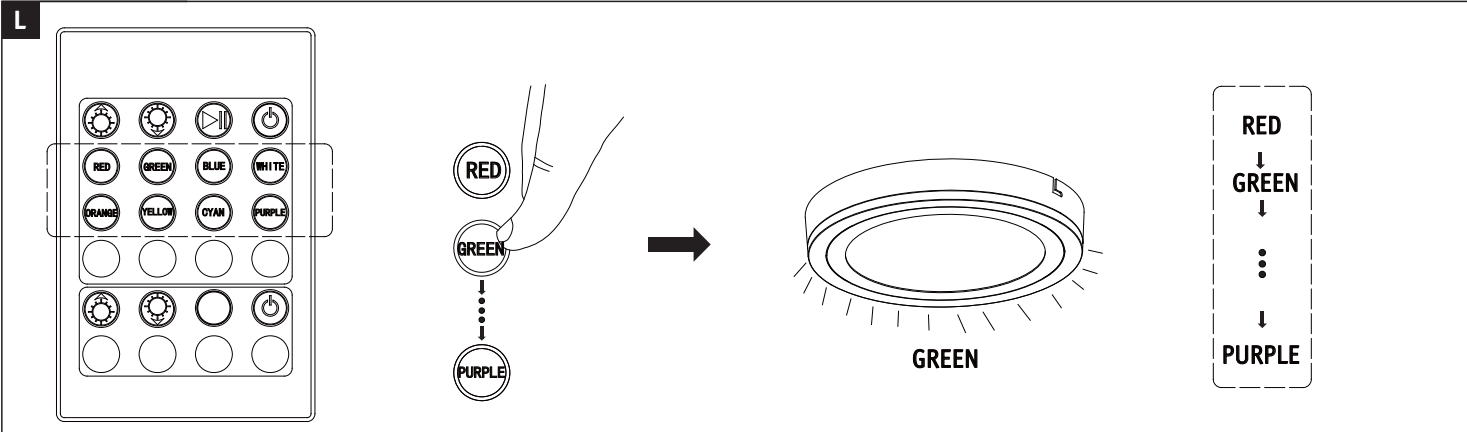
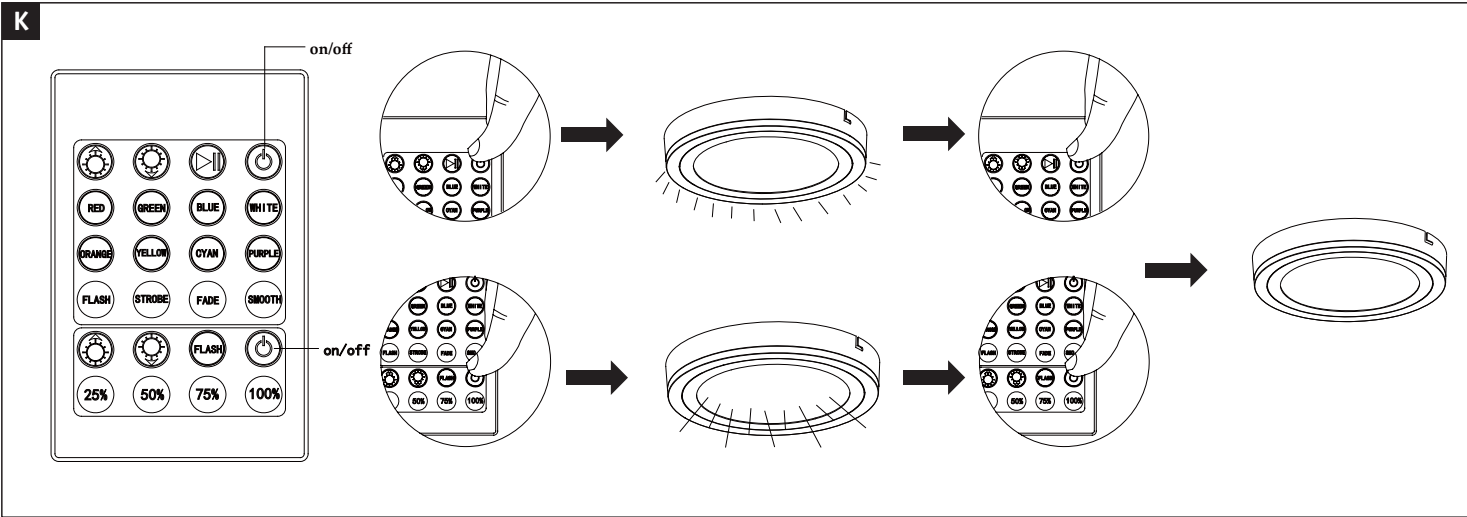


70734/70737: 1x

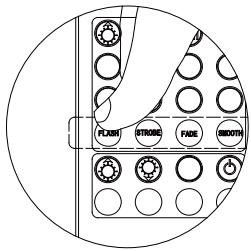


Incl.

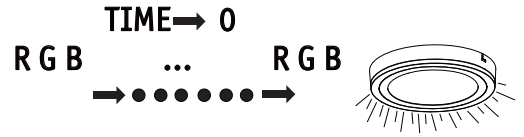
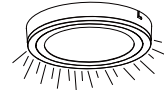
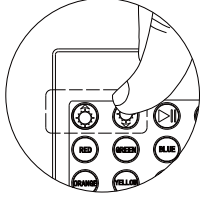
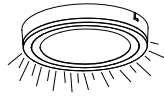
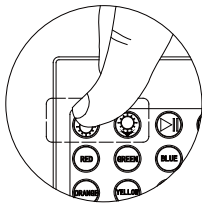




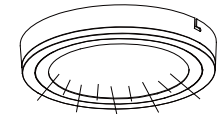
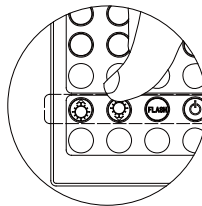
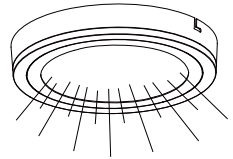
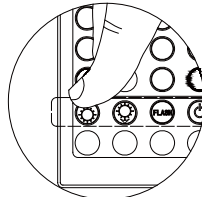
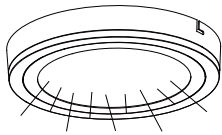
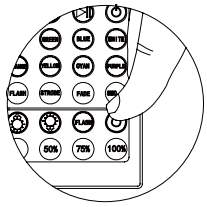
0



FLASH/STROBE/
FADE/SMOOTH

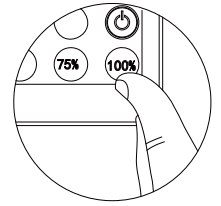
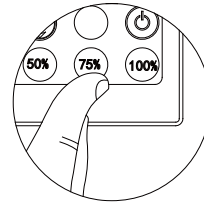
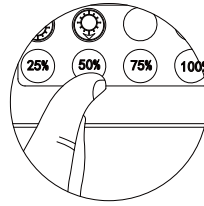
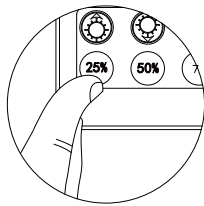
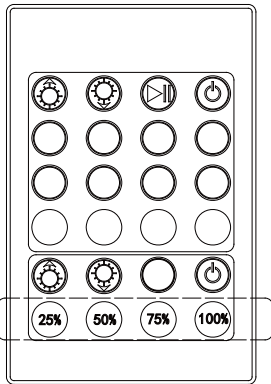


P

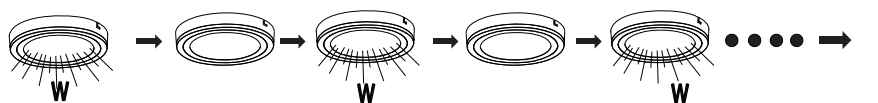
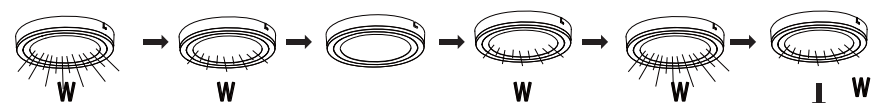
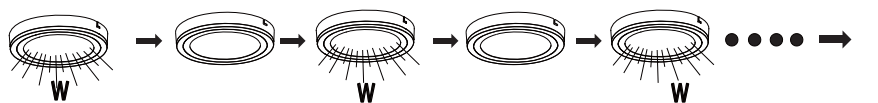
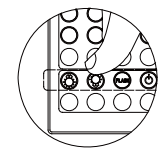
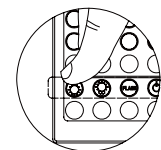
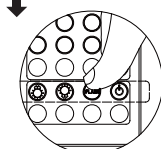
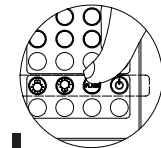
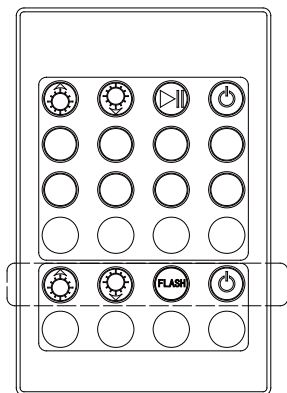


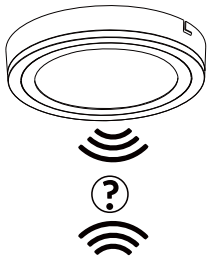
LM > 10%

Q



R





TIME > 5S



TIME < 3S

